



31 rue de la Fonderie,  
59200 - Tourcoing (France)



+33 3 62 65 82 62



info@sautec.fr



www.sautec.co



TECHNICAL SPECIFICATIONS - TYPE 01

# DIRT CONVEYOR

Lengths : 6 m, 8 m, 10 m, 12 m and 14 m



# Experts

in continuous handling

we design solutions that optimise your logistics and boost your **competitiveness.**



## ● The offer

is based around a complete range of mobile belt conveyors, available immediately and customisable thanks to our dedicated accessories.

## ● For specific projects

we design and manufacture entirely customised equipment and perfectly aligned with your requirements.



## Since 2007,

SAUTEC has been a reference in the design and manufacture of mobile belt conveyors.

Our multi-sector expertise and international presence testify to our ability to deliver reliable and innovative solutions. Hundreds of customers rely on us to optimise their logistics operations and modernise their handling processes, making us a key partner in the sector.



# 6 m - 14 m DIRT CONVEYOR

The better solution for the continuous transfert of dirt and other materials on your construction sites.

## VERSATILITY AND FLEXIBILITY

Your activities and construction sites are constantly changing. The dirt conveyor adapts to all handling scenarios and can transport a wide variety of bulk products: soil, sand, waste, etc.

## SIMPLE AND PRACTICAL

It is easy to get started. No special skills are required. The dirt conveyor can be moved easily and many accessories are available to complement the equipment. Objective: to simplify the logistics of material flows on your construction site.



AVAILABLE FOR HIRE

## Strong points



4-pin plug with phase reverser and power cable. **Ready to use, just plug it in to start using it.**



Lifting plate with indication of weight and centre of gravity. **Facilitates lifting operations.**



Predisposition to add and/or remove various optional equipment at any time. **The dirt conveyor adapts to your needs.**



Manual hydraulic pump. **For precise adjustment of the angle of inclination of the conveyor.**



Removable, airtight belt cover. **For long-lasting use.**



Wheels and drawbar. **The conveyor is easy to move.**

	Conveyor belt length				
	6 m	8 m	10 m	12 m	14 m
Supply	Three-phase electric 400 V				
Belt width	600 mm				
Belt type	Rubber belt with chevrons 32 mm				
Belt speed	90 m/min	90 m/min	90 m/min	90 or 120 m/min	90 or 120 m/min
Gearmotor	3,0 KW	3,0 KW	4,0 KW	4,0 or 5,5 KW	5,5 KW
Output height (at 30°)	3 m	4 m	5 m	6 m	7 m
Weight	≈ 800 kg	≈ 1 160 kg	≈ 1 260 kg	≈ 1 600 kg	≈ 1 900 kg

## Technical description

Mobile device with pneumatic road equipment and a drawbar.

Rubber band, 600 mm wide, in trough on DUO stations, welded endless, with chevron 32mm height.

Adjustable tilt by height adjustment with 2 hydraulic cylinders operated with a manual pump and equipped with a double safety device:

- Hydraulic safety with pressure distribution in the cylinders and parachute valves.
- Mechanical safety by locking the cylinders.

Gearmotor with hollow shaft in direct mounting, power plug 400 Volts three-phase + earth, with removable protective cover without tools, electric box including thermal protection, on/off button, emergency stop button and bilateral emergency stop cable.

Rubber-coated drive drum with removable hub.

Smooth return drum with removable hub.

Inner scraper with pressure adjustment and loading hopper with side flaps, double rear sealing flaps and additional sealing flaps.

Painted steel assembly.

Lifting plates with weight and centre of gravity indication for safe unloading.

10M power cable with 16A 4-pin 3P + T socket with phase inverter.

Protection of return drum for operator safety.

Equipped with a plastic operating manual attached to the chassis.

Complies with regulation (EU) 2023/1230 of the European Parliament of the Council on machinery.

## Accessories (non exhaustive list)

### Open hopper



### Round hopper



### End chute





## Cement and soil transfert

Installation of a conveyor line for soil and cement gravel to transport materials to an area inaccessible to construction machinery.



VIDEO



## Soil removal

Removal of 3,000 m<sup>3</sup> of soil by passing through a building as part of a project to renovate an enclosed inner courtyard.

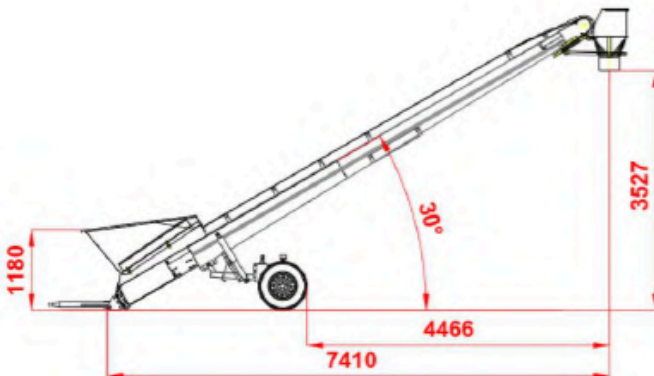
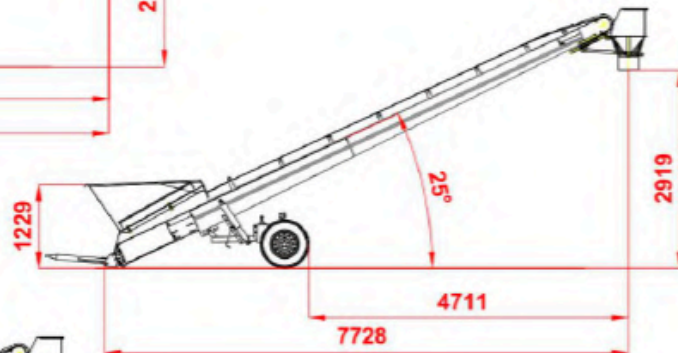
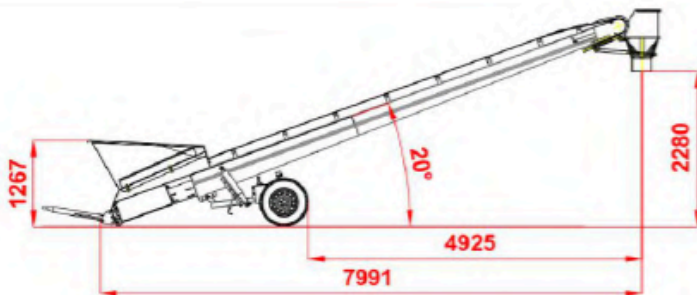
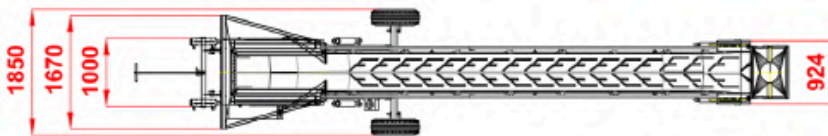
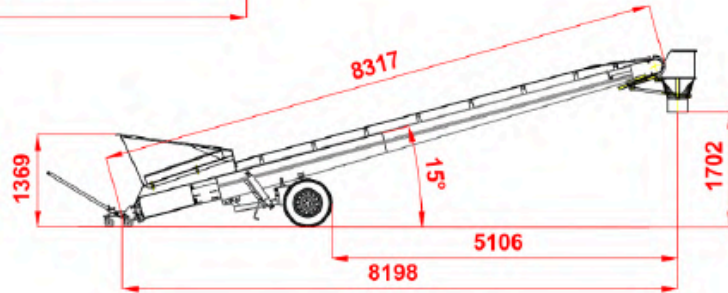
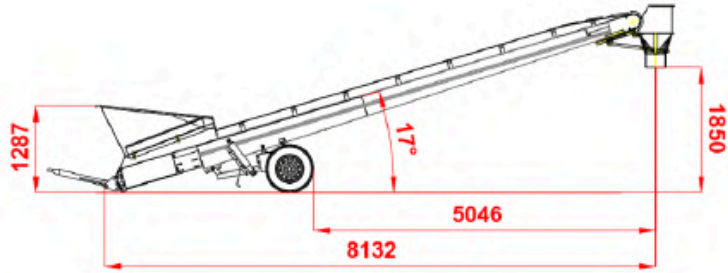


VIDEO



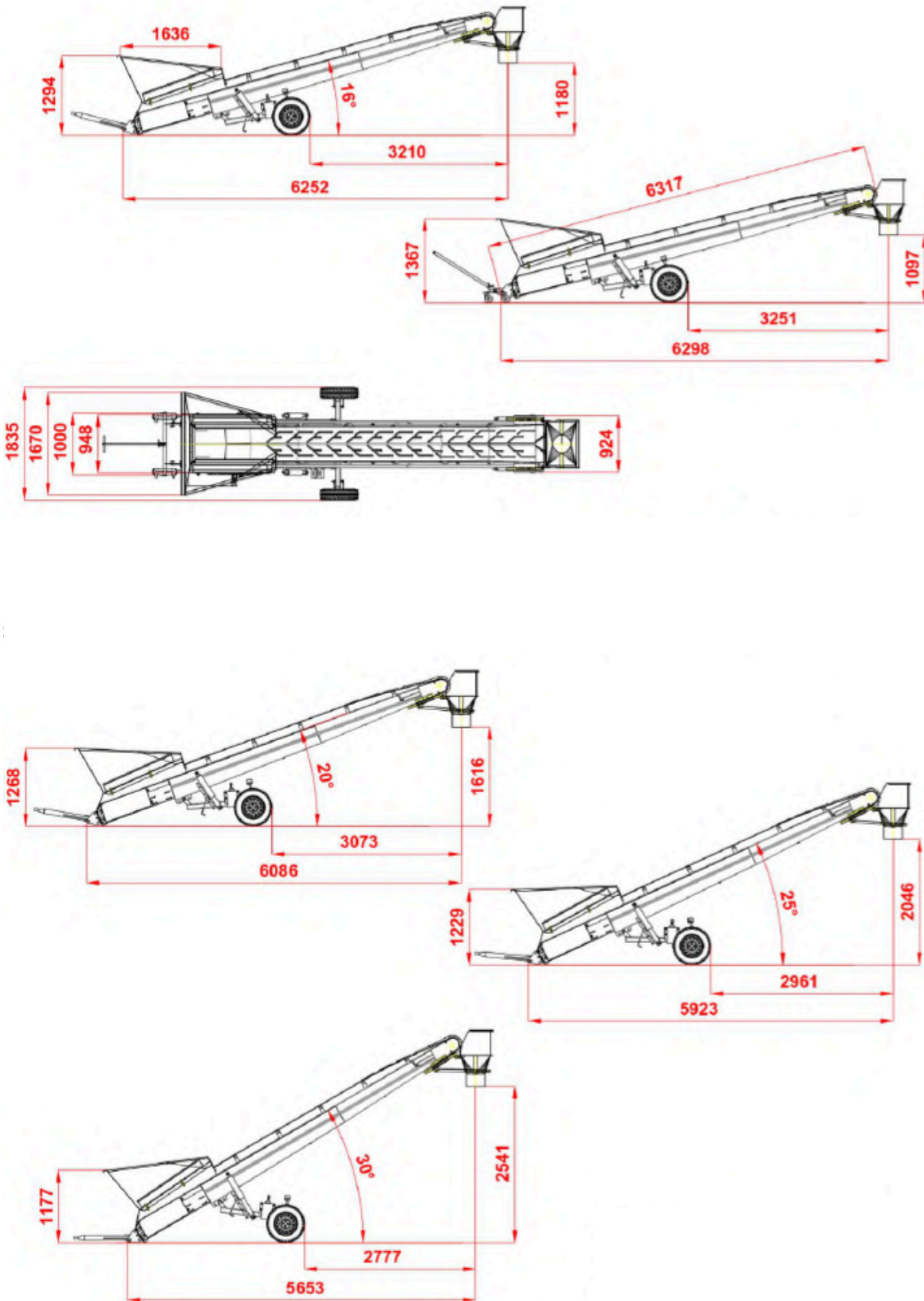
# 6 m dirt conveyor plans

TYPE 01



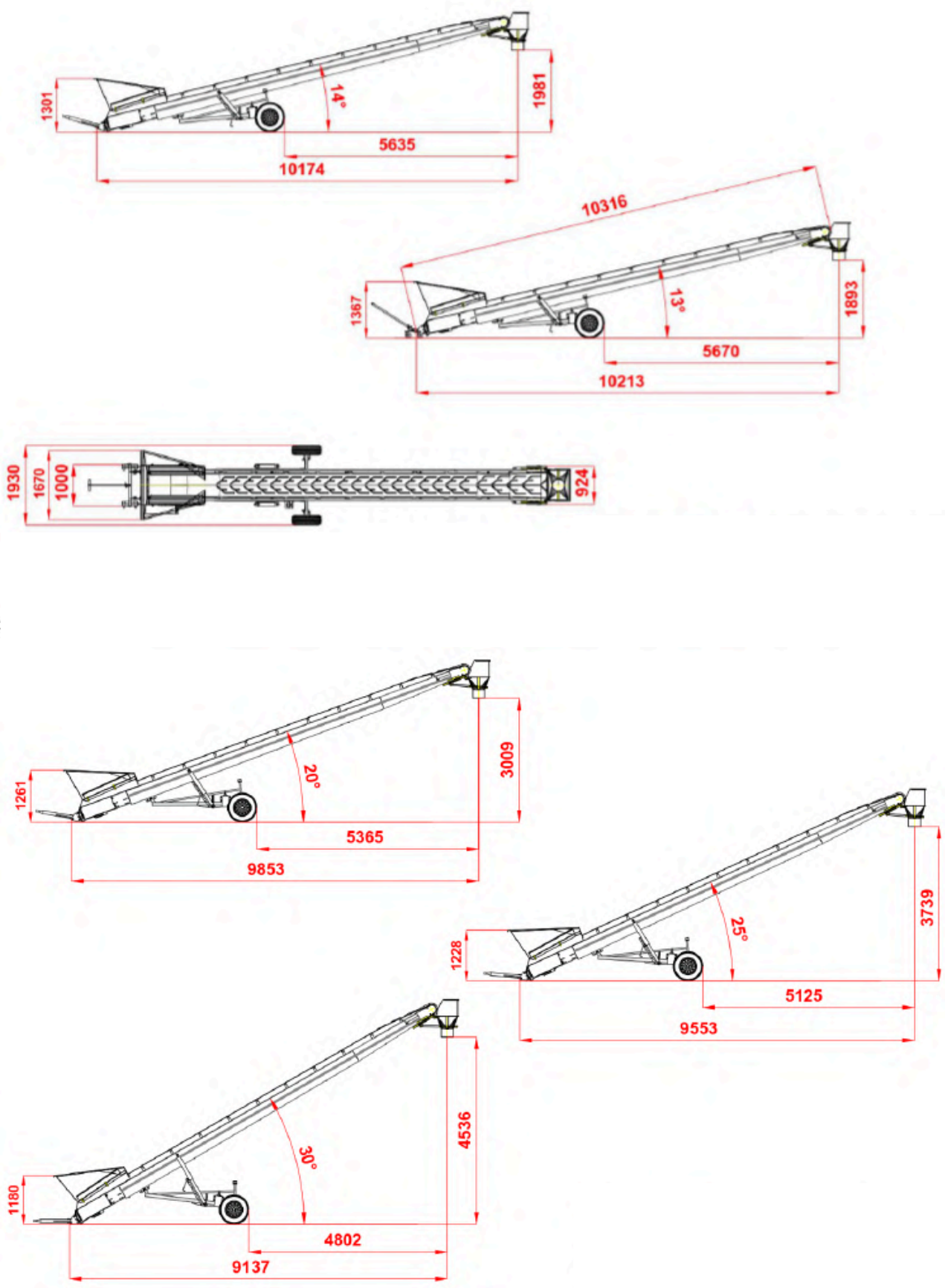
# 8 m dirt conveyor plan

TYPE 01



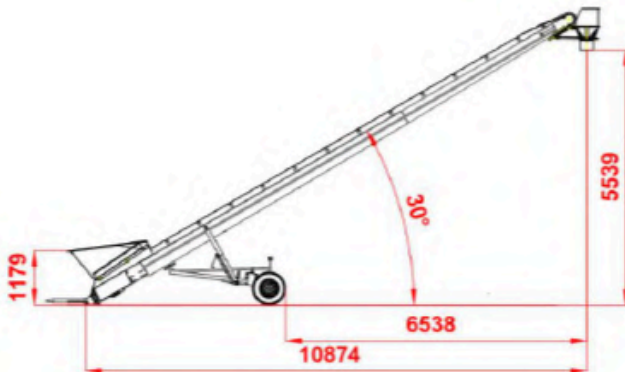
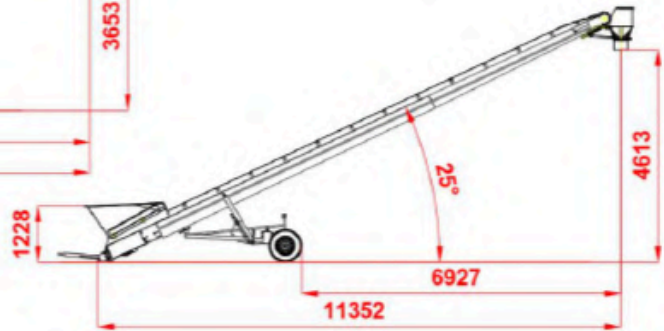
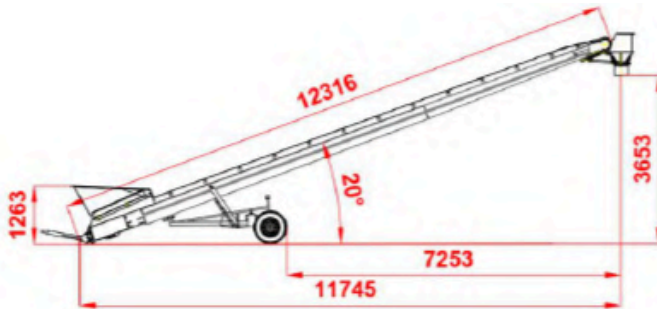
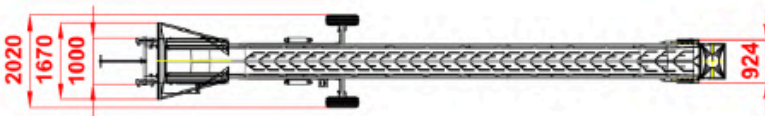
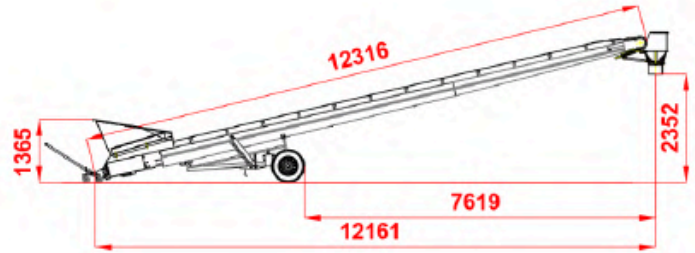
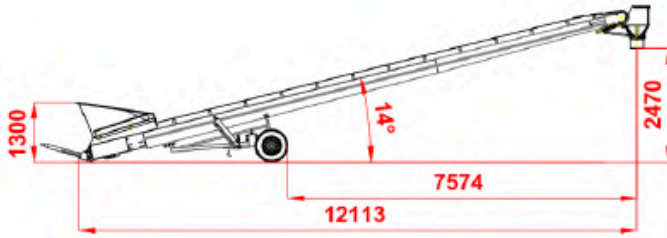
# 10 m dirt conveyor plans

TYPE 01



# 12 m dirt conveyor plan

TYPE 01



# 14 m dirt conveyor plans

TYPE 01

